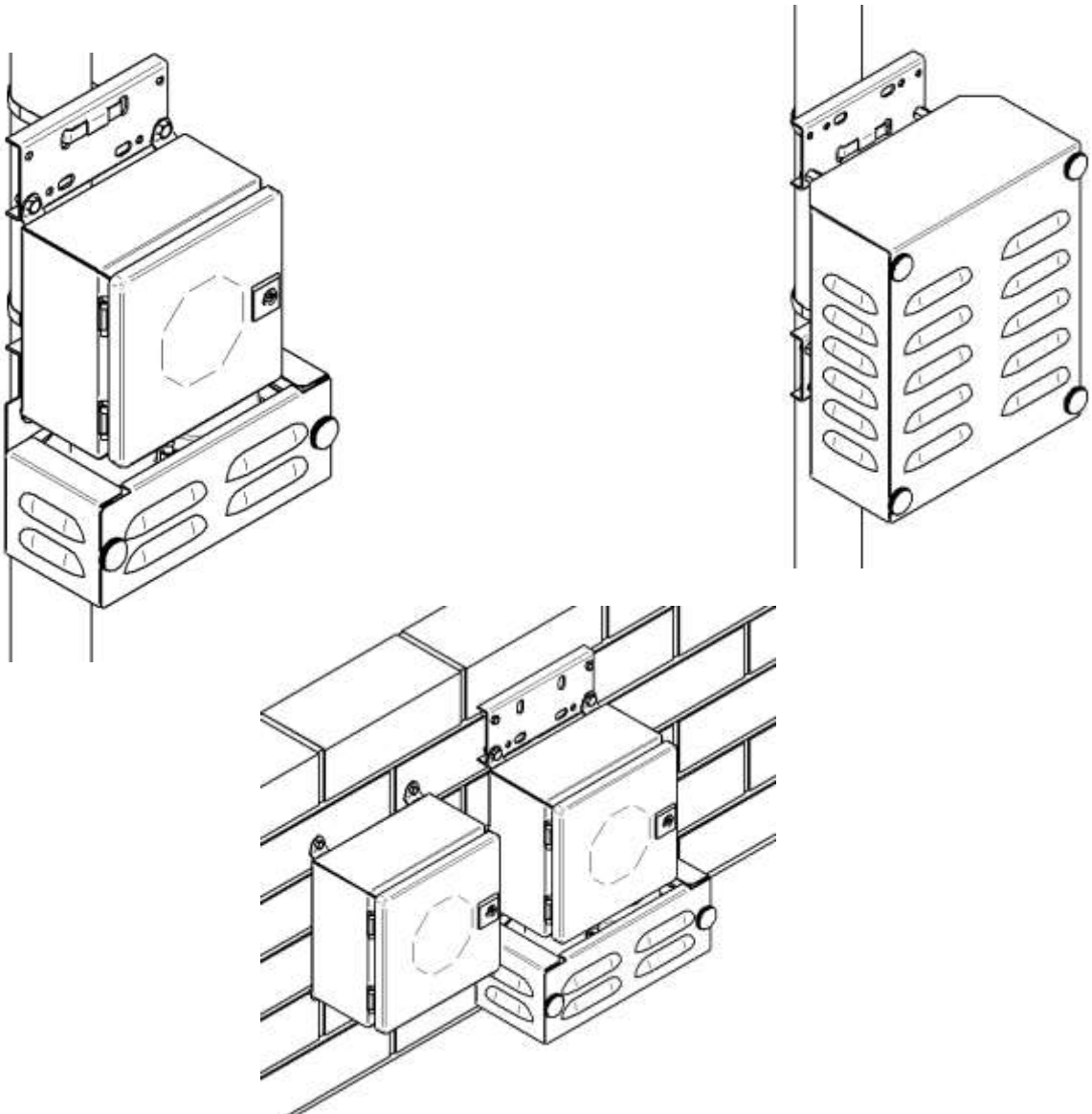




## iGAS & Power Portal Plus Installation Guide

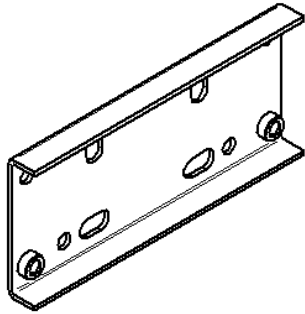
Lamp post and wall fixing



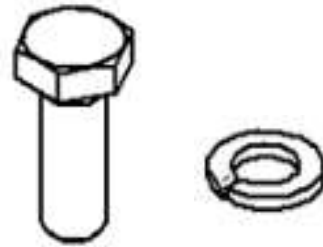
(For Quad Pod mounting option see Quad Pod Instrument Fitting Guide)

## TK1030 Power Portal Plus Lamp Post Mounting

(1x Reel ½" Steel Band, 2x Steel Band Buckle will be required items available upon request as a cost option)



2x M00815-2 iINSTRUMENT SUPPORT ARM.



4x M8X16 Hex Bolt, 4x M8 Spring washer

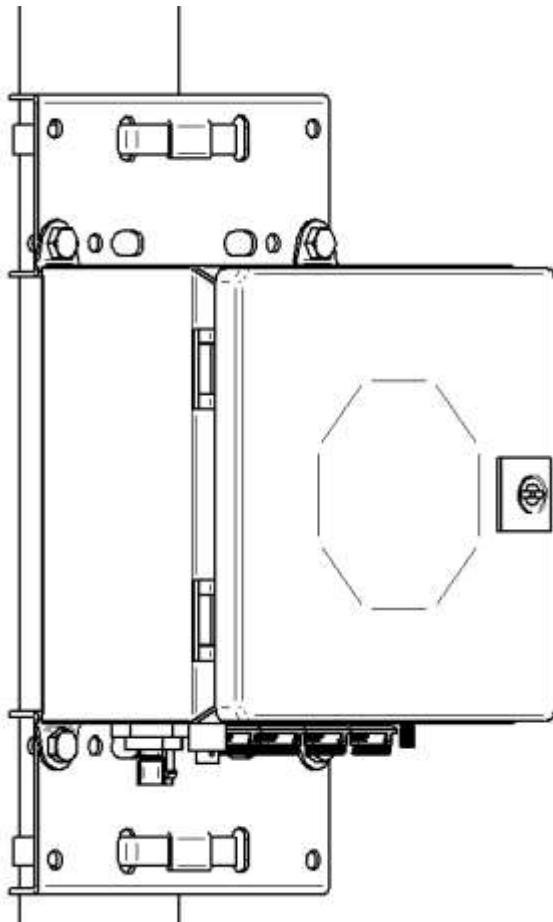
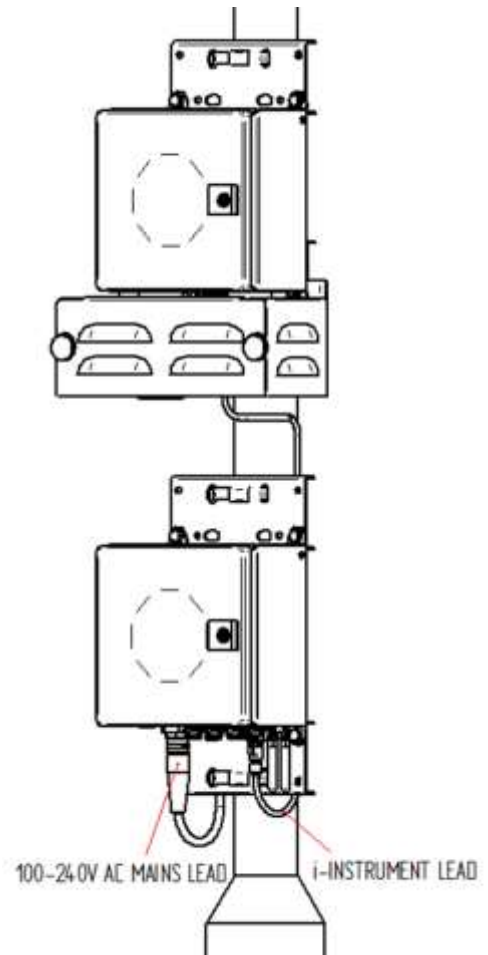


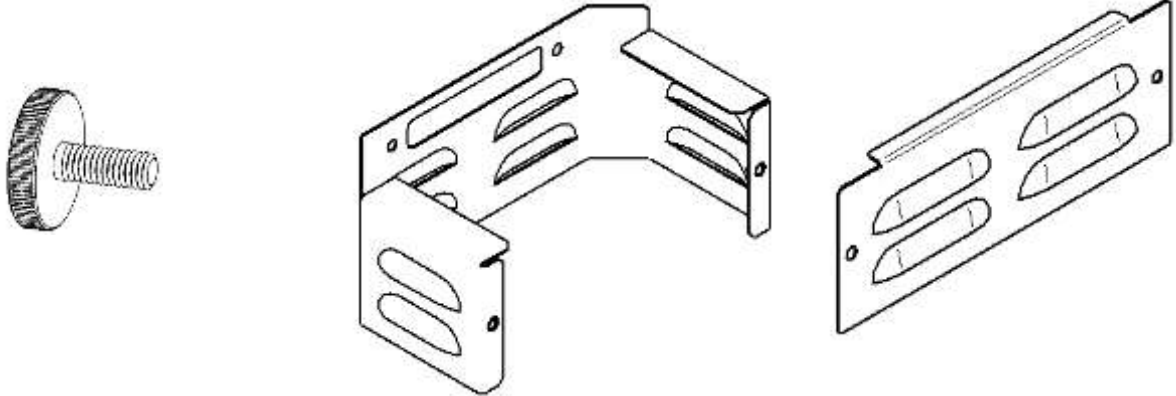
Fig. 1



TYPICAL POWER PORTAL PLUS AND iGAS LAMP POST INSTALLATION

## TK1031-iGAS Filter Sunshield Lamp Post Mount

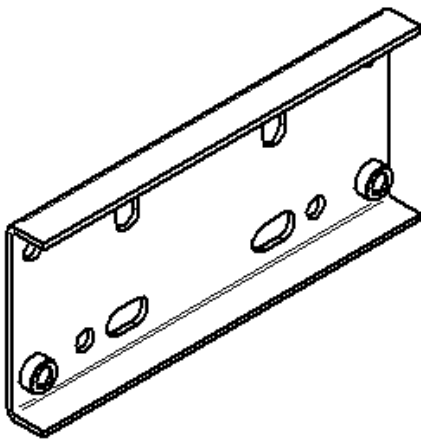
*(1x Reel ½" Steel Band, 2x Steel Band Buckle will be required items available upon request as a cost option)*



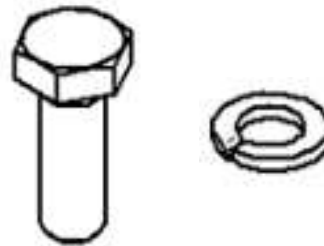
2x M8X20 TORQUE KNOB

1X M00813-2 SHORT REAR SHIELD

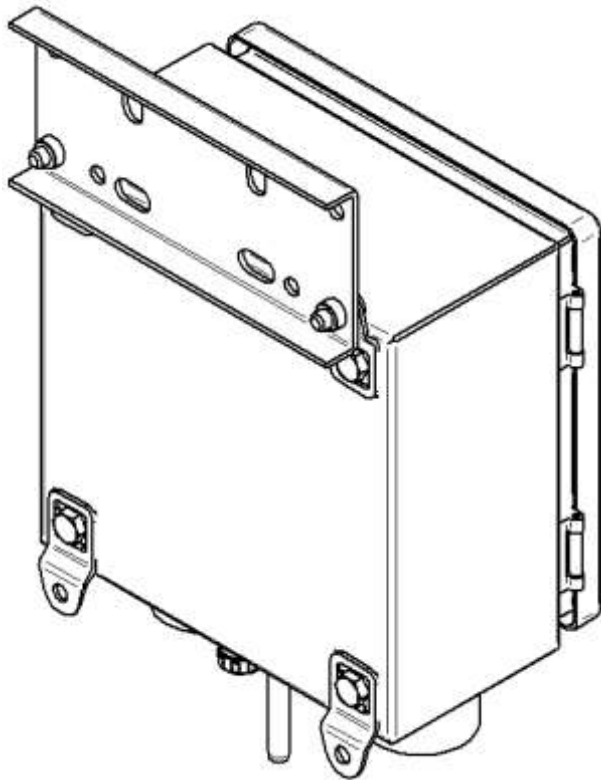
1X M00814-2 SHORT FRONT SHIELD



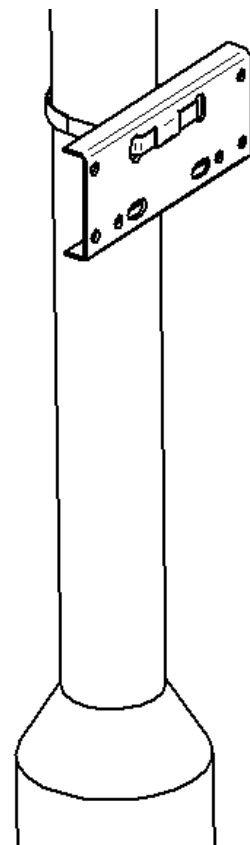
2x M00815-2 INSTRUMENT SUPPORT ARM.



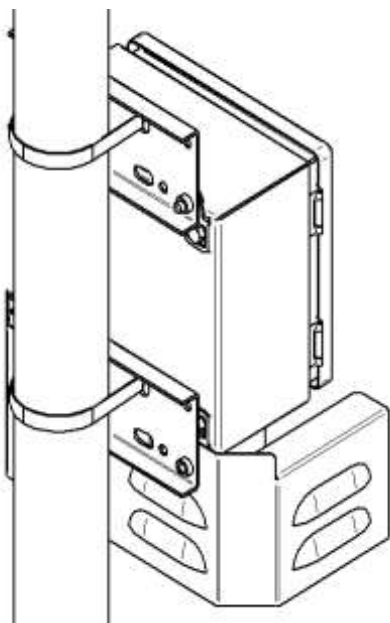
4x M8X16 Hex Bolt, 4x M8 Spring washer



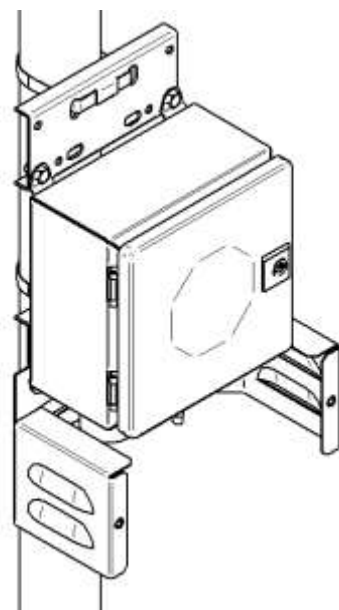
*Fig. 3*  
NO FILTERS FITTED, UPPER  
SUPPORT ARM FITTED FIRST.



*Fig. 4*  
LOWER SUPPORT ARM  
FITTED TO LAMP POST.



*Fig. 5*



*Fig. 6*

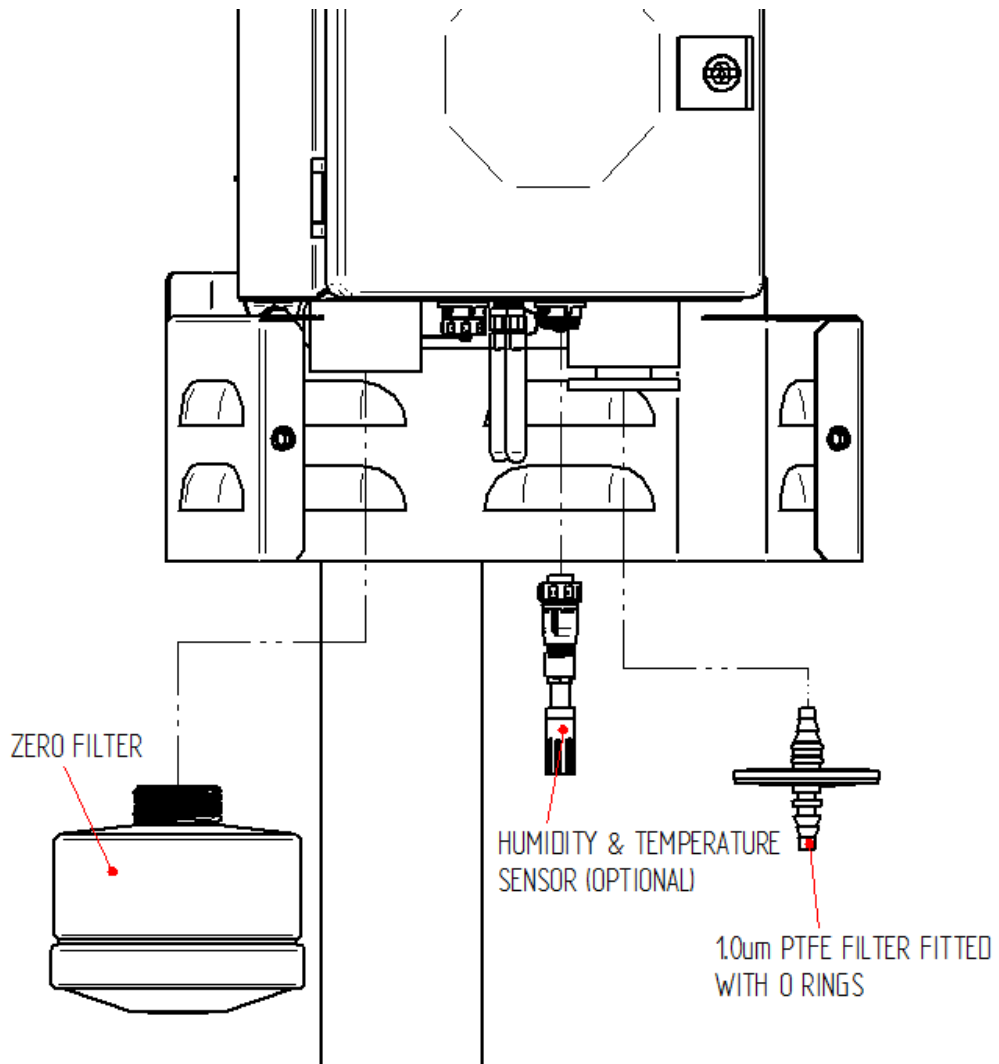


Fig. 7

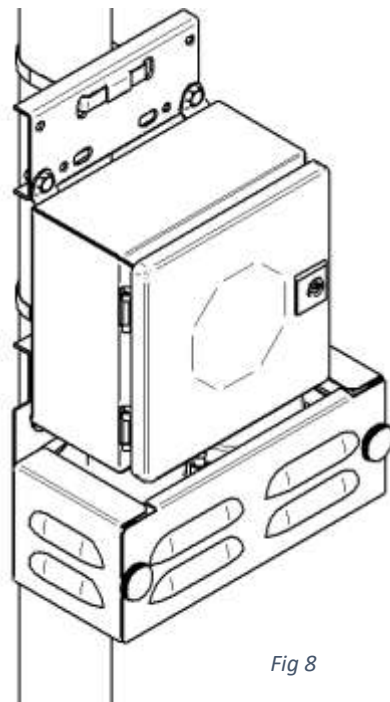
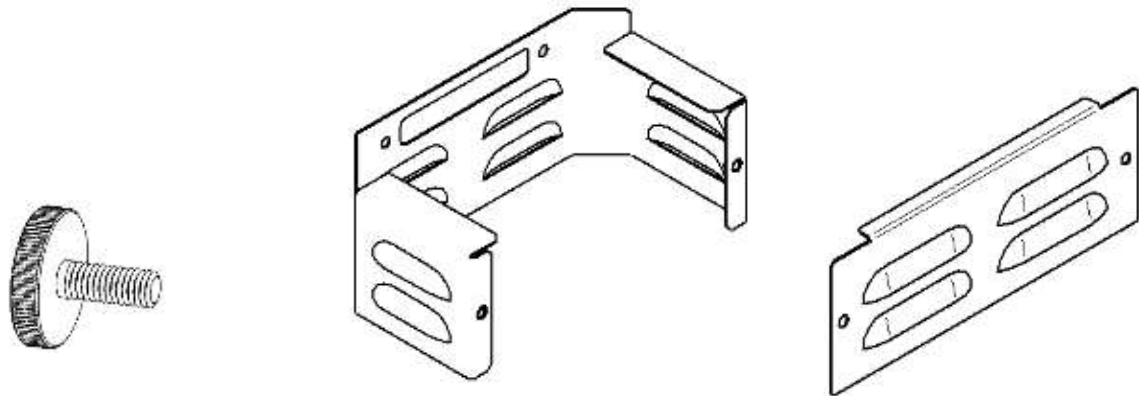


Fig 8

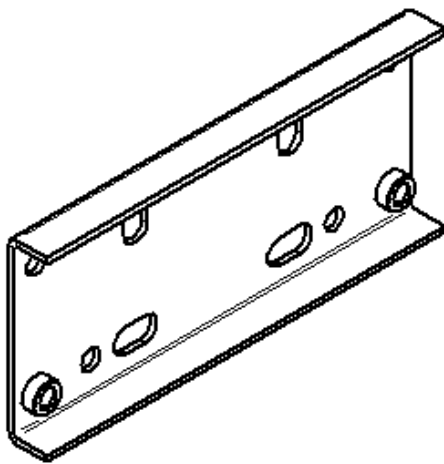
## TK1031 iGAS Filter Shield Wall Mount



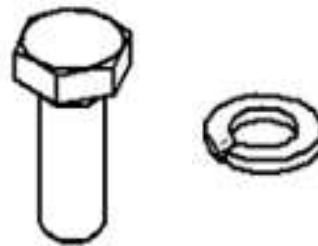
2x M8X20 TORQUE KNOB

1X M00813-2 SHORT REAR SHIELD

1X M00814-2 SHORT FRONT SHIELD



2x M00815-2 INSTRUMENT SUPPORT ARM.



4x M8X16 Hex Bolt, 4x M8 Spring washer

**NOTE: WALL FIXINGS NOT SUPPLIED**

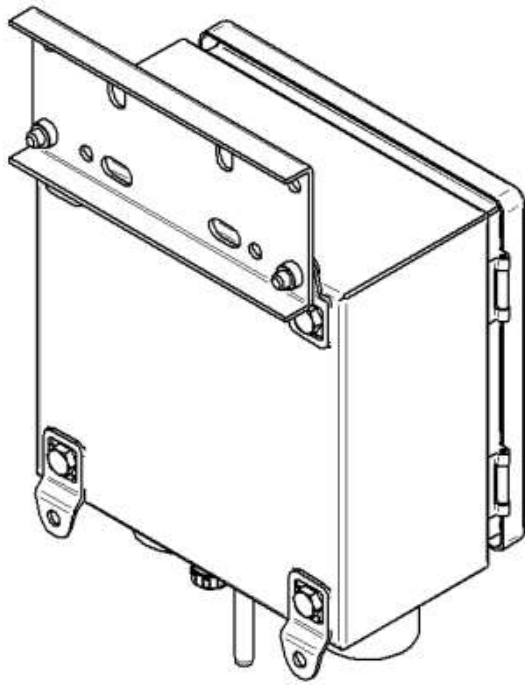


Fig. 9

NO FILTERS FITTED, UPPER  
SUPPORT ARM FITTED FIRST

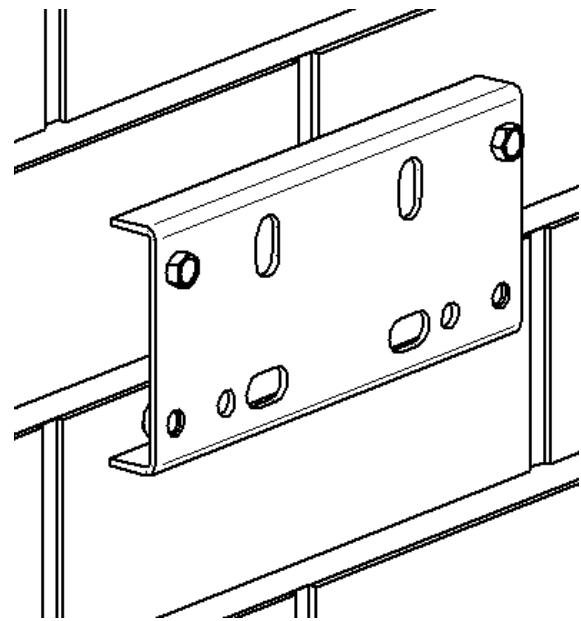


Fig. 10

LOWER SUPPORT ARM  
FITTED TO WALL (Use suitable wall fixings).

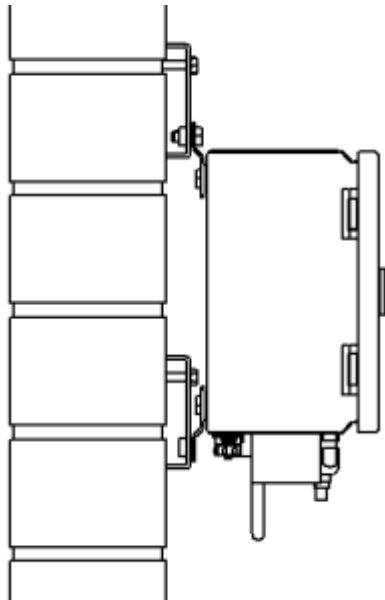


Fig. 11

FIT TOP TWO BOLTS FIRST

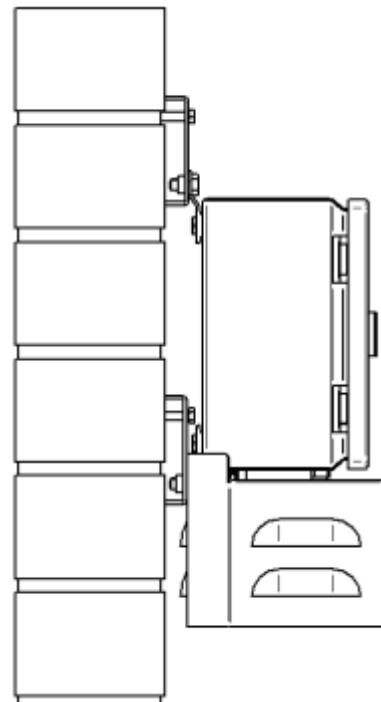


Fig. 12

FIT FILTER SHIELD AND BOTTOM TWO BOLTS

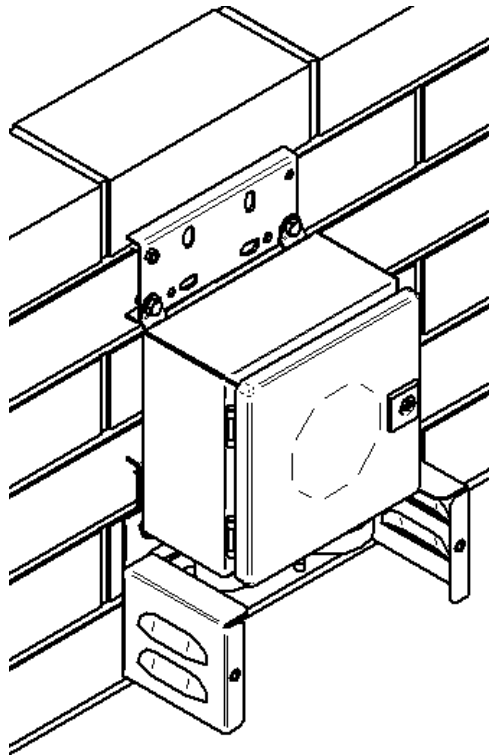


Fig. 13

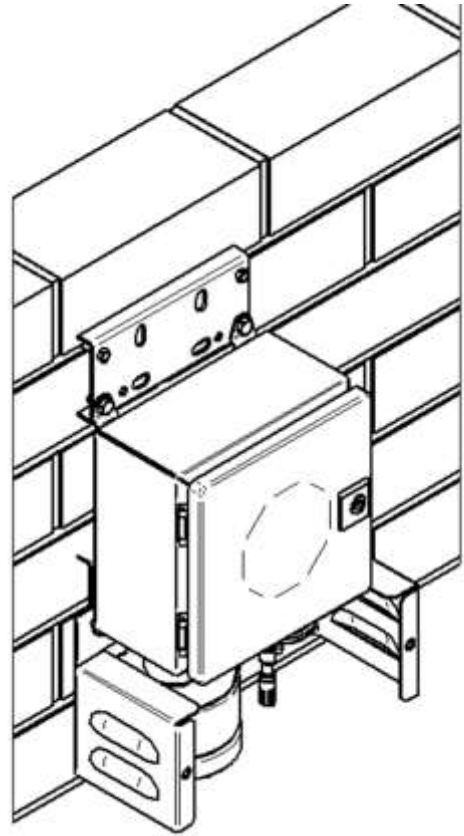


Fig. 14

SEE Fig 7 FOR FILTER FITTING

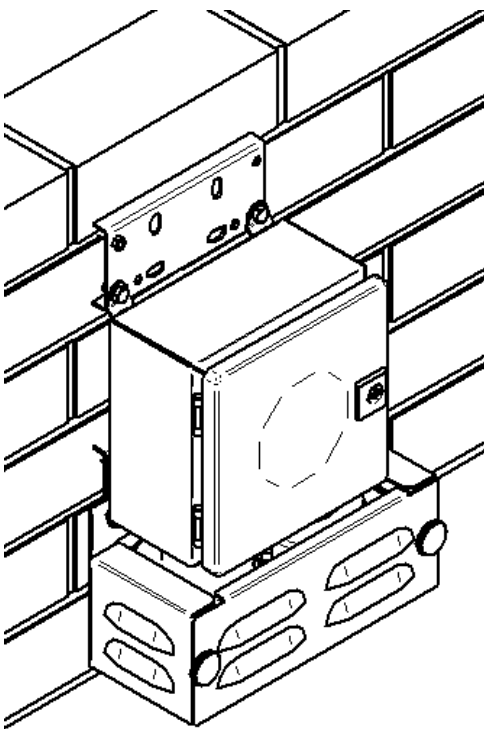


Fig. 15



## TYPICAL POWER PORTAL PLUS AND iGAS WALL INSTALLATION

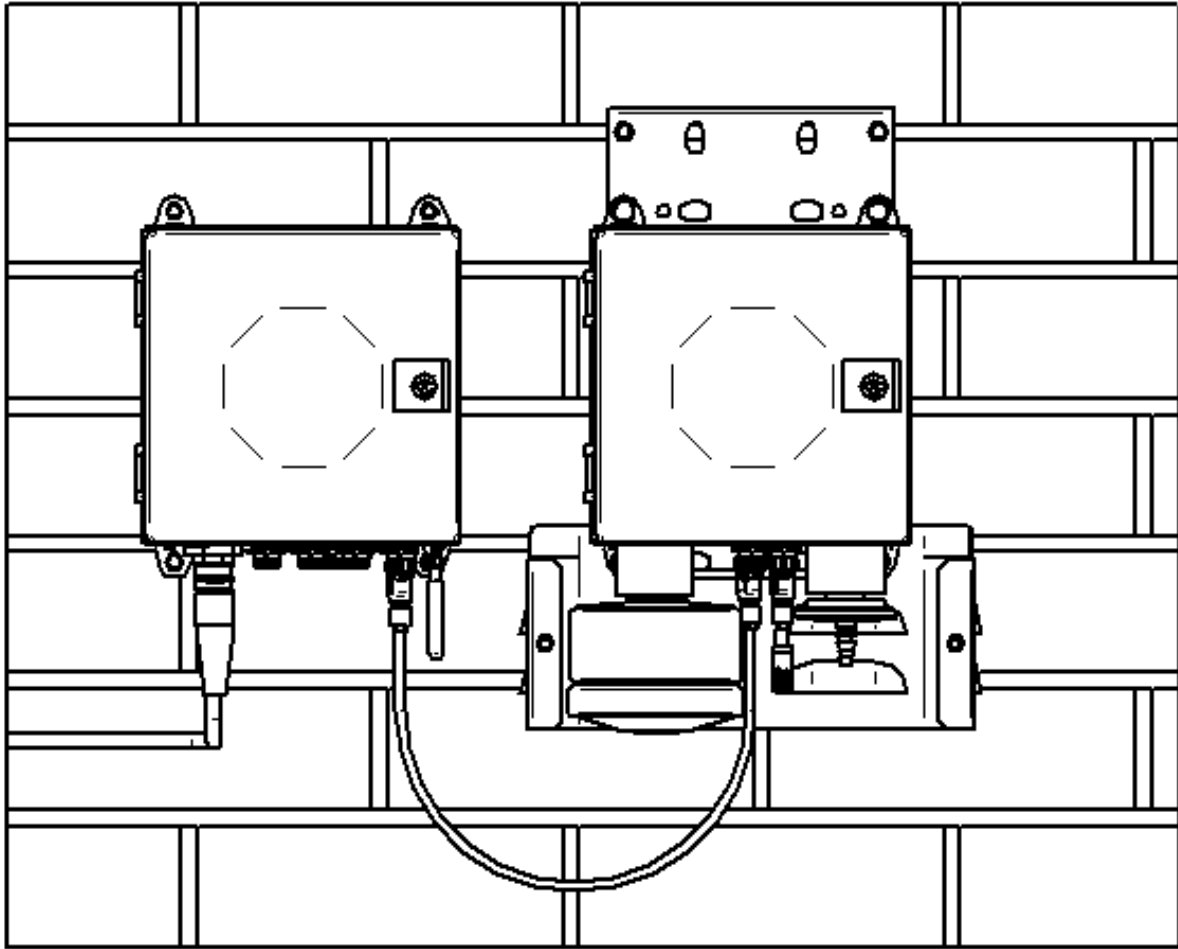


Fig. 16

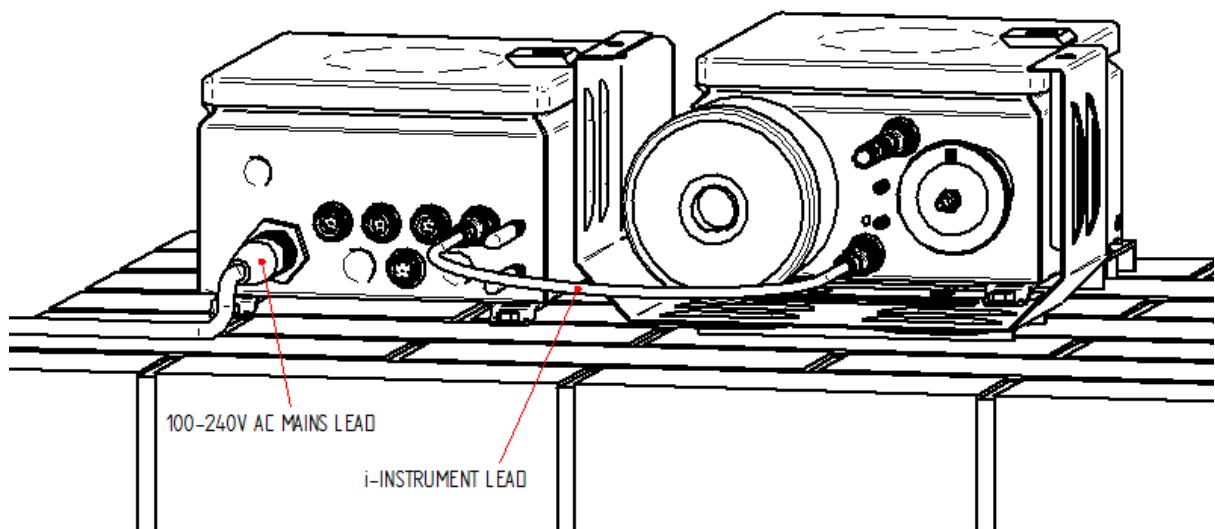


Fig. 17

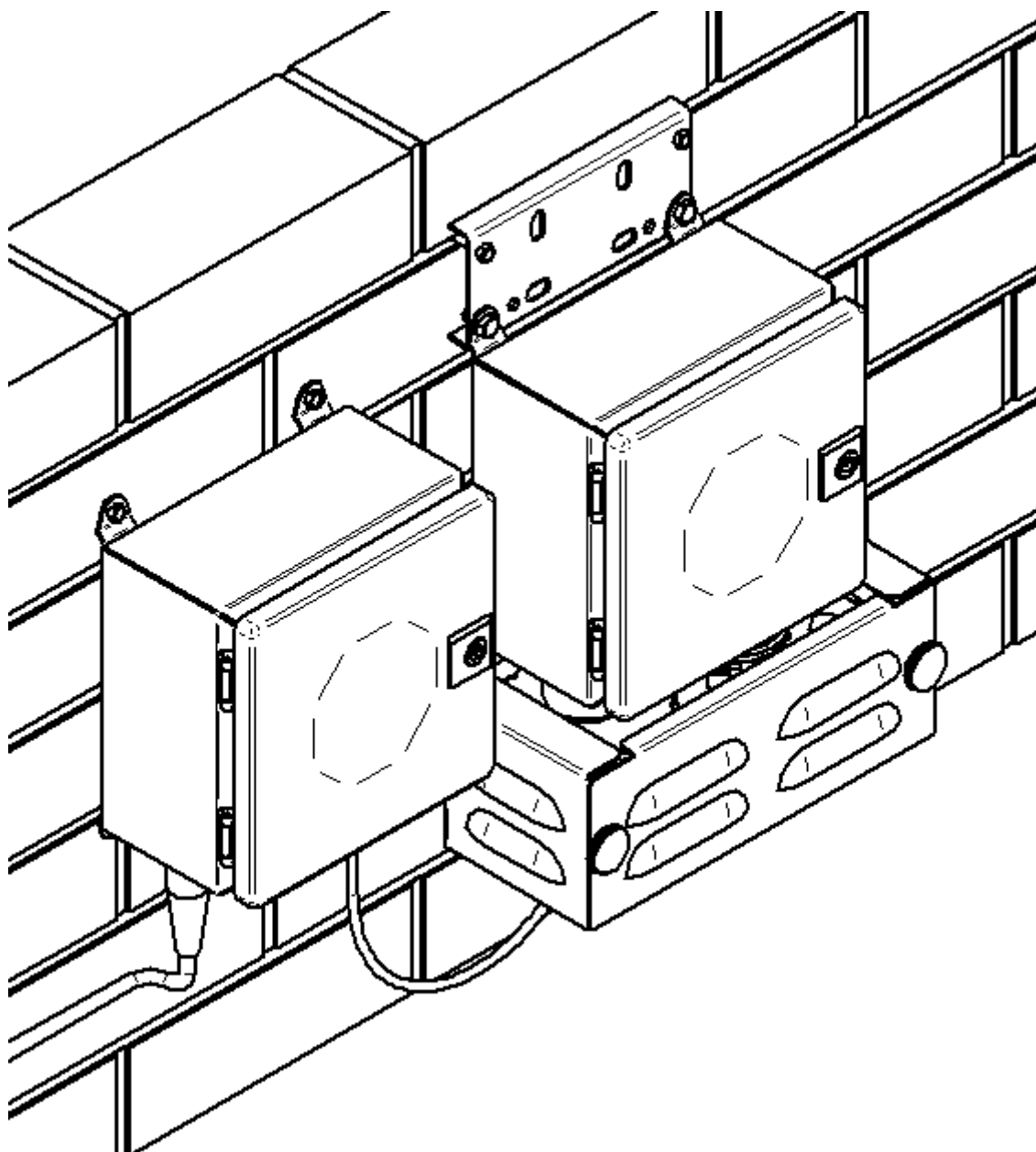


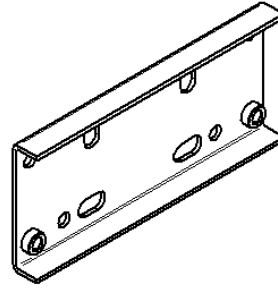
Fig. 18

# TK1032 iGAS Full Sun Shield Lamp Post Mount

(1x Reel 1/2" Steel Band, 2x Steel Band Buckle available upon request as a cost option)



4x M8X20 TORQUE KNOB



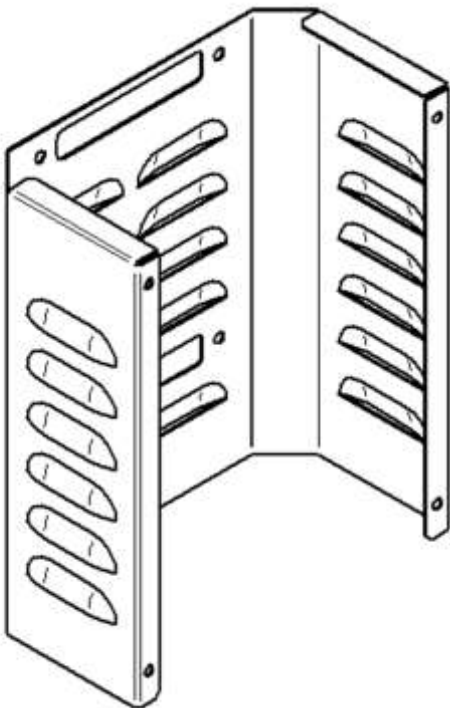
2x M00815-2 iINSTRUMENT SUPPORT ARM



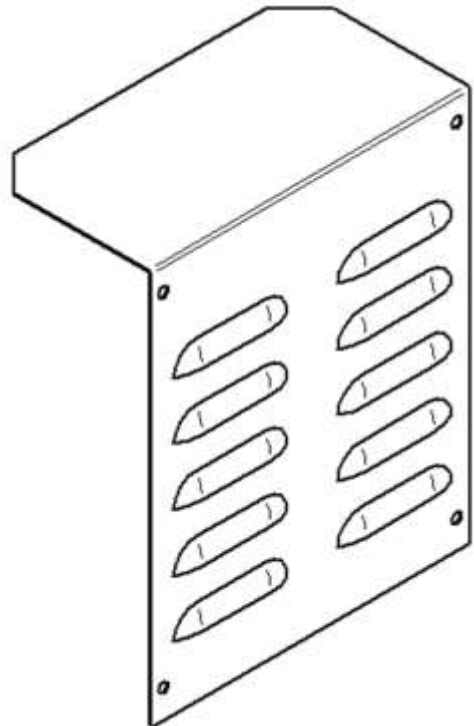
8x M8X16 Hex Bolt, 8x M8 Spring washer



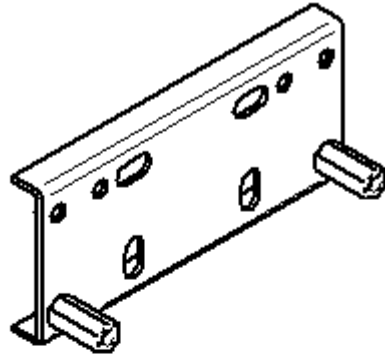
4x M8x30 Hex Spacer



1X M00811-2 iINSTRUMENT SUN SHIELD REAR



1X M00812-2 iINSTRUMENT SUN SHIELD FRONT



SPACERS FITTED TO SUPPORT ARMS FIRST

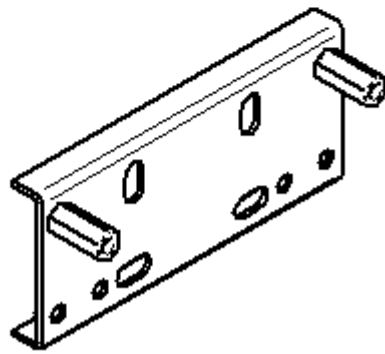


Fig 19

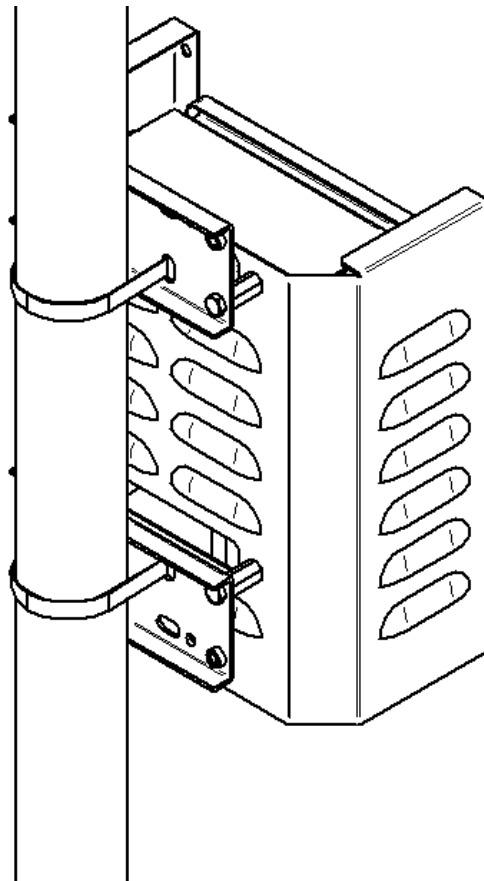


Fig 20

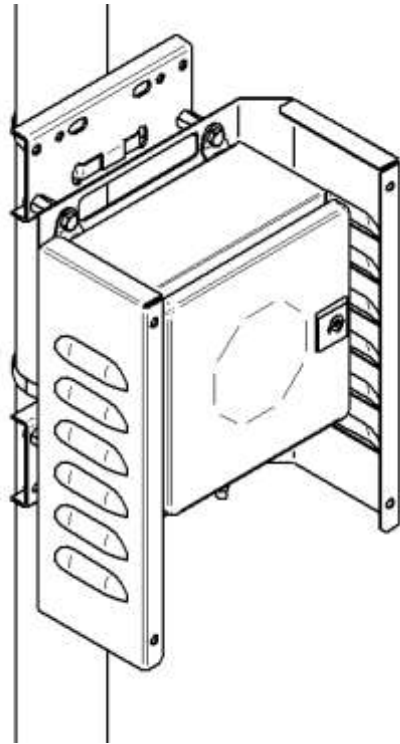


Fig 21

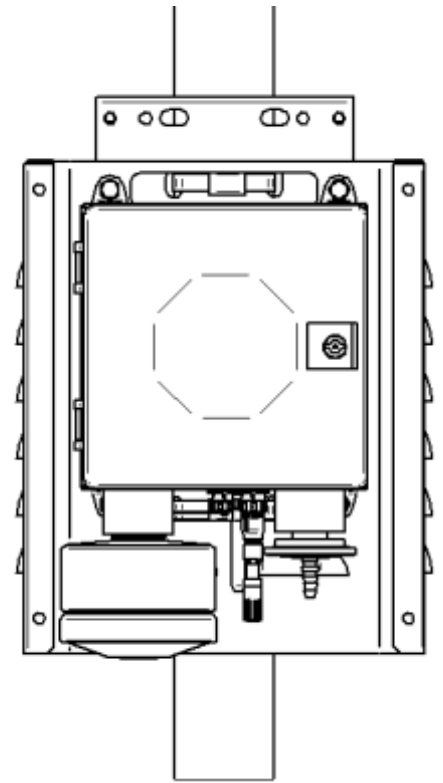


Fig 22

SEE Fig 7 FOR FILTER FITTING

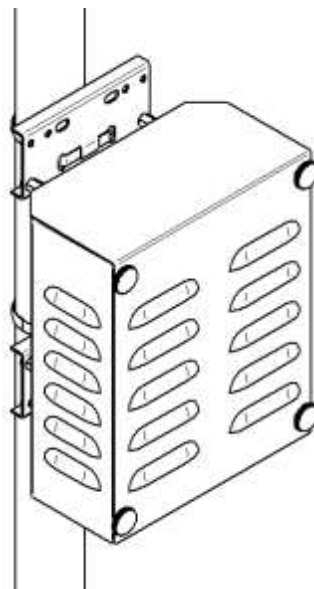
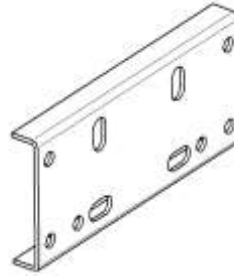


Fig 23

## TK1032 iGAS Full Sun Shield Wall Mount



4x M8X20 TORQUE KNOB



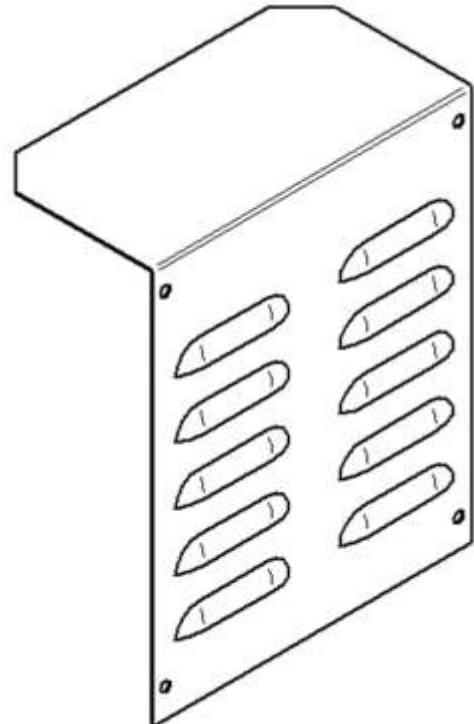
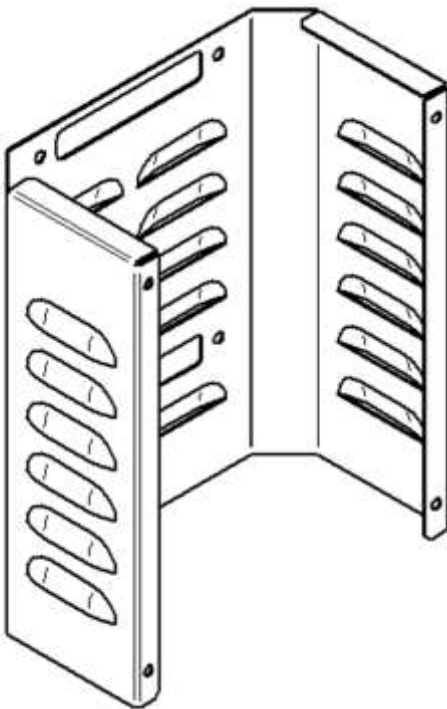
2x M00815-2 iINSTRUMENT SUPPORT ARM



8x M8X16 Hex Bolt, 8x M8 Spring washer



4x M8X30 Hex Spacer



1 X M00811-2 iINSTRUMENT SUN SHIELD REAR 1X M00812-2 iINSTRUMENT SUN SHIELD FRONT

**NOTE: WALL FIXINGS NOT SUPPLIED**

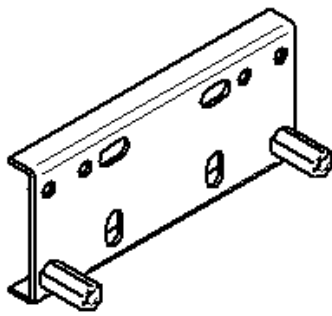


Fig 24

SPACERS FITTED TO  
SUPPORT ARMS FIRST

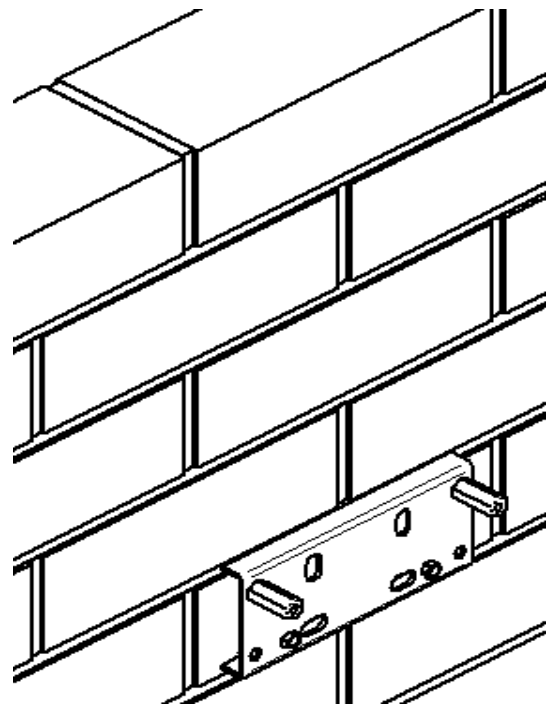
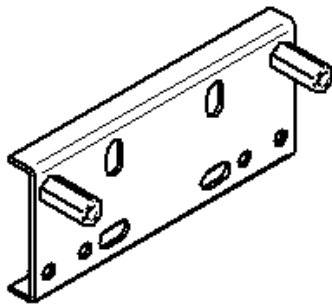


Fig 25

LOWER SUPPORT ARM  
FITTED TO WALL (Use suitable wall fixings).

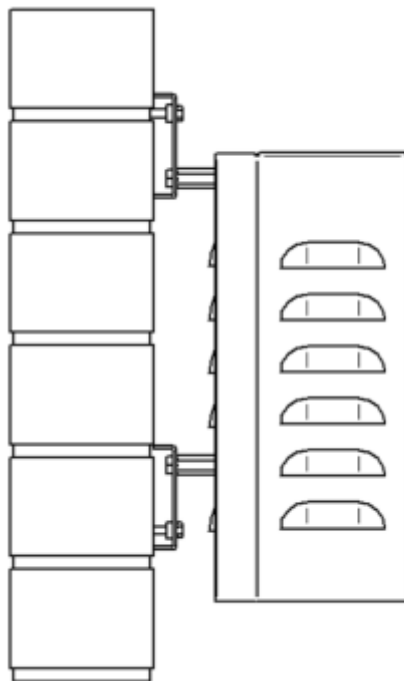


Fig 26

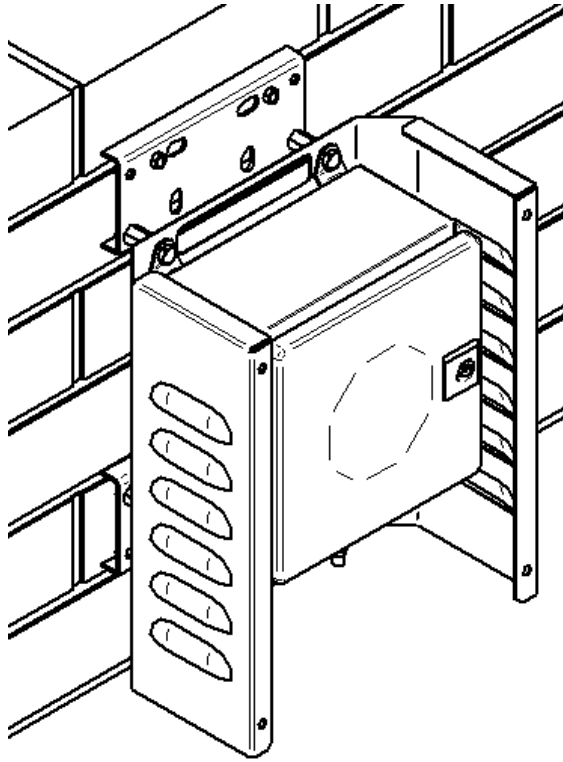
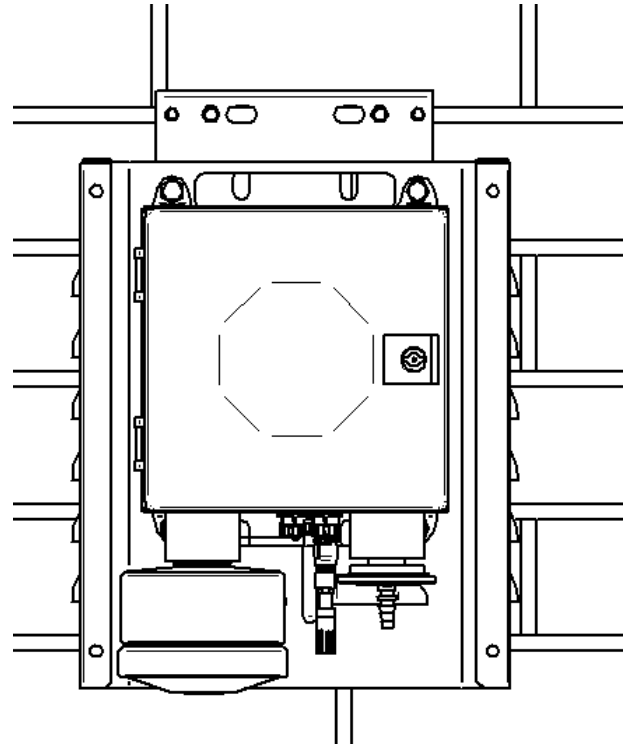


Fig 27



SEE Fig 7 FOR FILTER FITTING

Fig 28

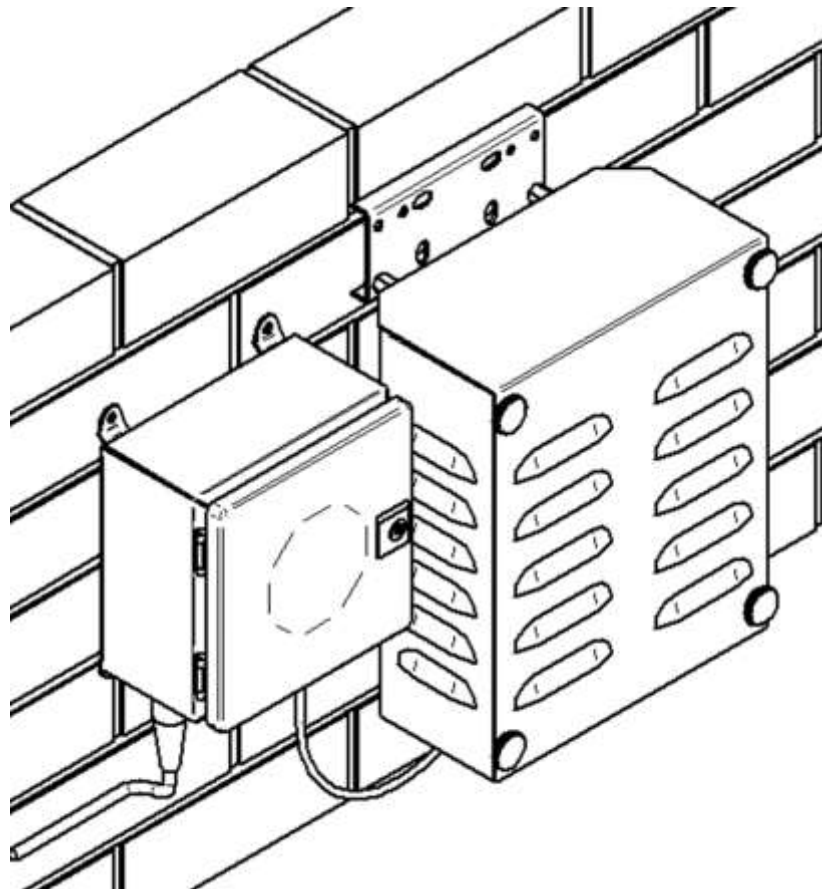


Fig 29



## Revision History

- Issue 1 Original RSP, Nov 2017
- Issue 2 Wiring added, Jan 2018

© Turnkey Products Ltd. RSP

Issue 2 Jan 2018